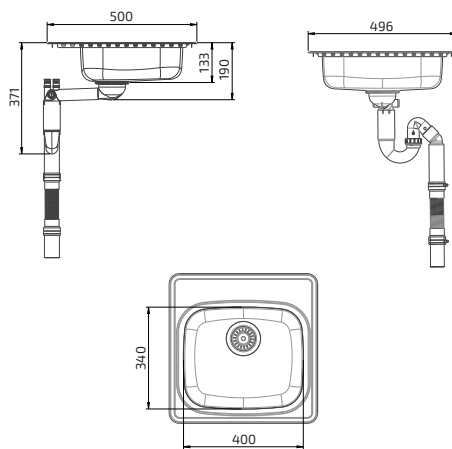




 Inset  Undermounted



**Inset sink
Granberg ES11 - 49.6 cm**


- For cabinet size: 500 mm
- Height of the sink bowls: 120 mm
- Outer dimensions: 500 x 496 mm
- Dimensions of sawn-out hole: 480 x 474 mm
- Plate thickness: 0.8 mm, brushed stainless steel
- Mounting: Inset or undermounted
- Incl. basket valve and water lock with flexible drain hose

618ES11-050

Special note- flexible waste plumbing to be sourced and supplied in Australia

 **Inset**

A hole is sawn in the worktop and the inset sink is put in position from above. The inset sink is then fastened underneath with fittings while the outer edge lies on top of the board. This method is suitable for all types of worktop materials except natural stone. The hole is made on the spot by a fitter.

 **Undermounted**

A hole with an edge is milled out in the worktop from below. The inset sink is then glued on from underneath. The thickness of the visible material above the sink varies depending on whether this is done in laminate, wood or acrylic stone. Supplied assembled from the factory.



GRANBERG

GRANBERG INTERIOR AB
Box 6112
600 06 Norrköping
Sweden
Tel: +46(0)11-19 77 50
Email: info@granberg.se
Internet: www.granberg.se

SINCE 1870



Distributor/Dealer in Australia



Inclusive Living
Australia

Tel: +61 1300 304 330
E-mail: sales@inclusiveliving.com.au
Internet: http://www.inclusiveliving.com.au

Inclusive Living
Australia
www.inclusiveliving.com.au
1300 304 330